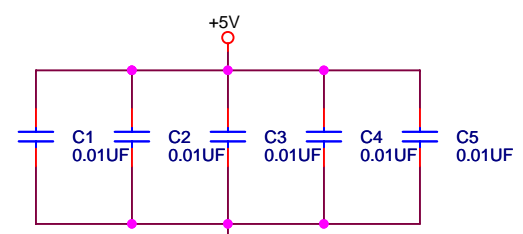
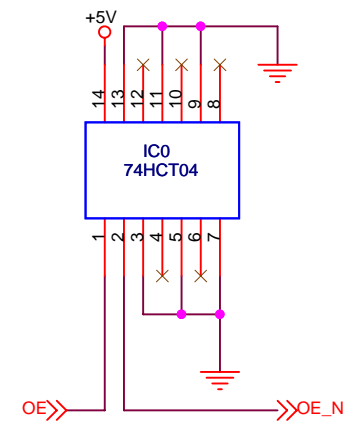


**IC2 handle output 1-8 :**  
 IC2 pin11:output#1, IC2 pin12:output#2  
 IC2 pin13:output#3, IC2 pin14:output#4  
 IC2 pin 7:output#5, IC2 pin 6:output#6  
 IC2 pin 5:output#7, IC2 pin 4:output#8

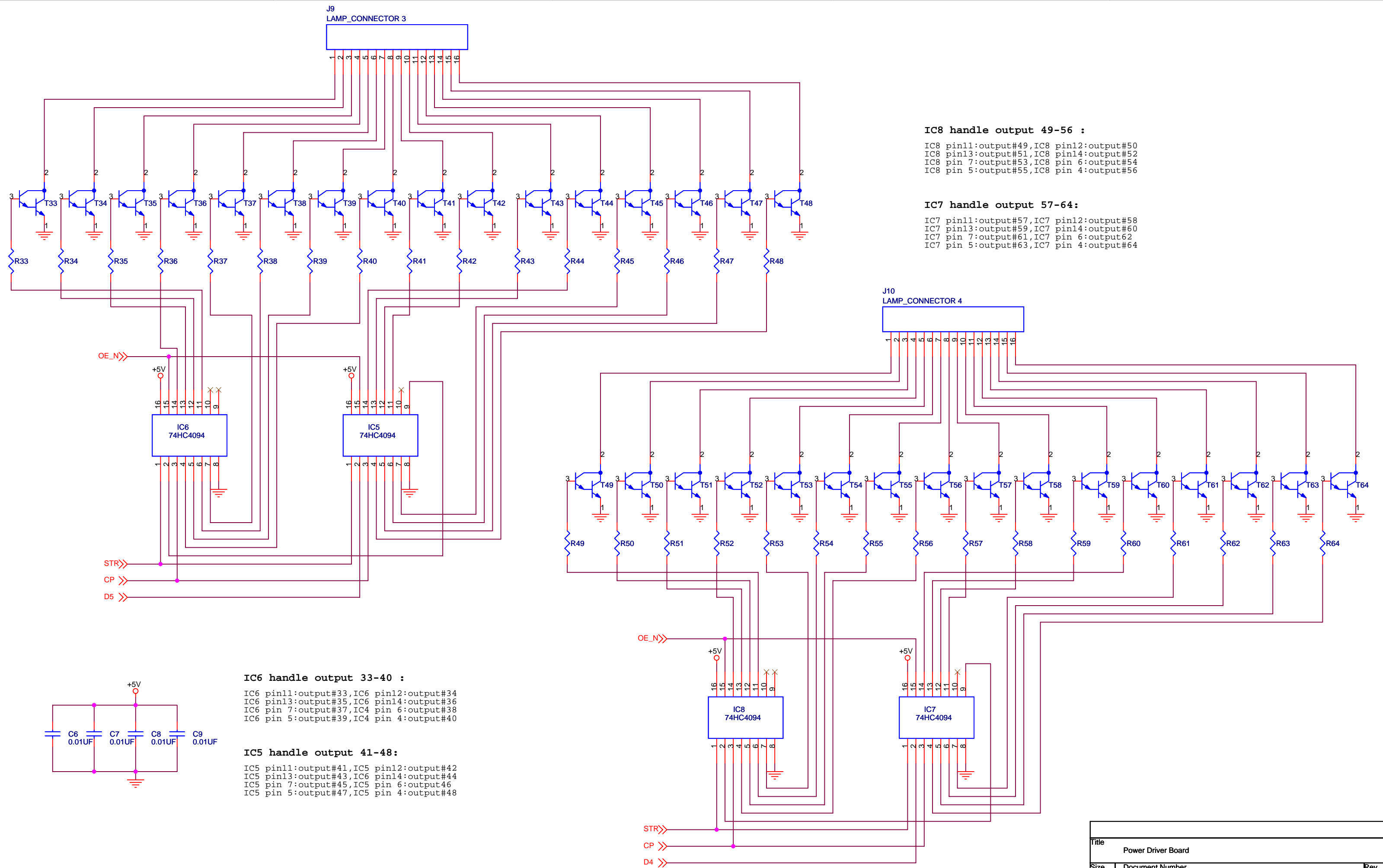
**IC1 handle output 9-16 :**  
 IC1 pin11:output# 9, IC1 pin12:output#10  
 IC1 pin13:output#11, IC1 pin14:output#12  
 IC1 pin 7:output#13, IC1 pin 6:output#14  
 IC1 pin 5:output#15, IC1 pin 4:output#16

**IC4 handle output 17-25 :**  
 IC4 pin11:output#17, IC4 pin12:output#18  
 IC4 pin13:output#19, IC4 pin14:output#20  
 IC4 pin 7:output#21, IC4 pin 6:output#22  
 IC4 pin 5:output#23, IC4 pin 4:output#24

**IC3 handle output 26-32:**  
 IC3 pin11:output#25, IC3 pin12:output#26  
 IC3 pin13:output#27, IC3 pin14:output#28  
 IC3 pin 7:output#29, IC3 pin 6:output#30  
 IC3 pin 5:output#31, IC3 pin 4:output#32



Title		
Power Driver Board		
Size	Document Number	Rev
Custom	BZA01B	A
Date:	Thursday, March 03, 2005	Sheet 1 of 4

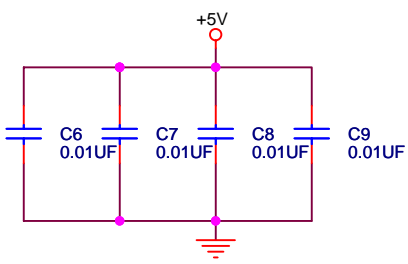


**IC8 handle output 49-56 :**  
 IC8 pin11:output#49,IC8 pin12:output#50  
 IC8 pin13:output#51,IC8 pin14:output#52  
 IC8 pin 7:output#53,IC8 pin 6:output#54  
 IC8 pin 5:output#55,IC8 pin 4:output#56

**IC7 handle output 57-64:**  
 IC7 pin11:output#57,IC7 pin12:output#58  
 IC7 pin13:output#59,IC7 pin14:output#60  
 IC7 pin 7:output#61,IC7 pin 6:output#62  
 IC7 pin 5:output#63,IC7 pin 4:output#64

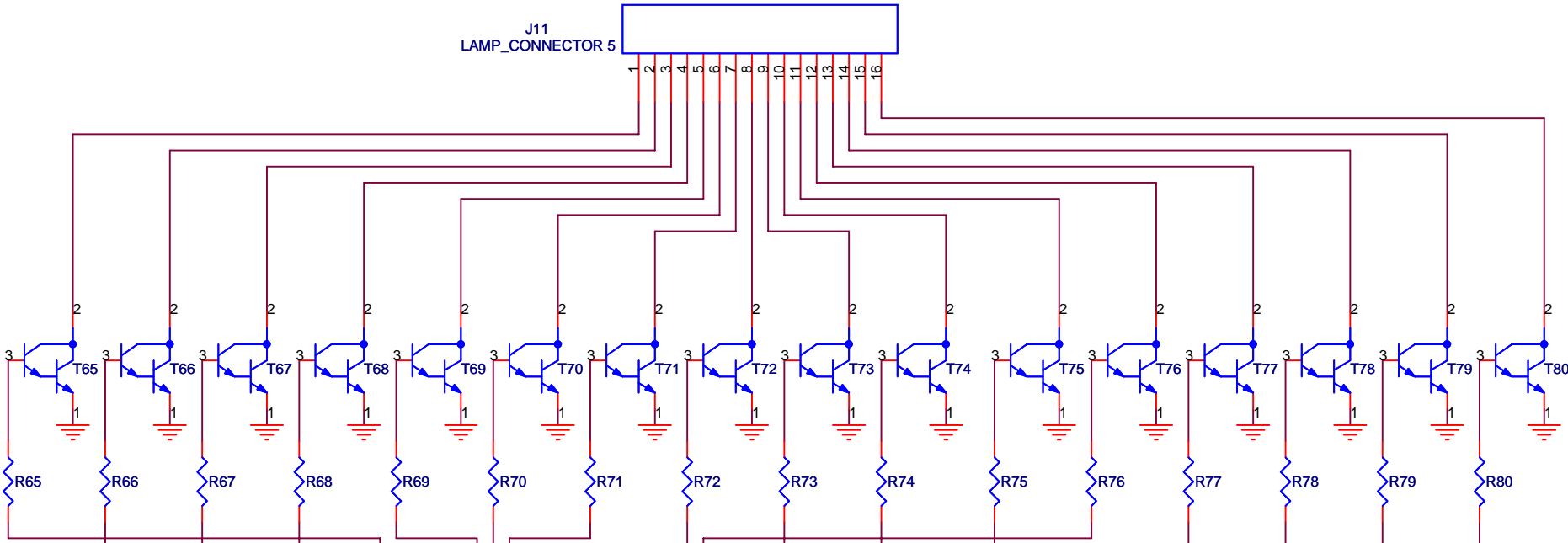
**IC6 handle output 33-40 :**  
 IC6 pin11:output#33,IC6 pin12:output#34  
 IC6 pin13:output#35,IC6 pin14:output#36  
 IC6 pin 7:output#37,IC6 pin 6:output#38  
 IC6 pin 5:output#39,IC6 pin 4:output#40

**IC5 handle output 41-48:**  
 IC5 pin11:output#41,IC5 pin12:output#42  
 IC5 pin13:output#43,IC5 pin14:output#44  
 IC5 pin 7:output#45,IC5 pin 6:output#46  
 IC5 pin 5:output#47,IC5 pin 4:output#48



Title		
Power Driver Board		
Size	Document Number	Rev
Custom	BZA01B	A
Date:	Tuesday, March 01, 2005	Sheet 2 of 4

J11  
LAMP\_CONNECTOR 5



**IC12 handle output 81-88 :**

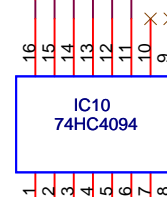
IC12 pin1:output#81,IC12 pin2:output#82  
 IC12 pin3:output#83,IC12 pin4:output#84  
 IC12 pin 7:output#85,IC12 pin 6:output#86  
 IC12 pin 5:output#87,IC10 pin 4:output#88

**IC11 handle output 89-96:**

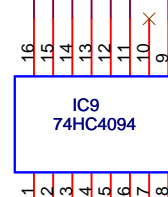
IC11 pin1:output#89,IC11 pin2:output#90  
 IC11 pin3:output#91,IC11 pin4:output#92  
 IC11 pin 7:output#93,IC11 pin 6:output#94  
 IC11 pin 5:output#95,IC11 pin 4:output#96

OE\_N >>>

+5V



+5V

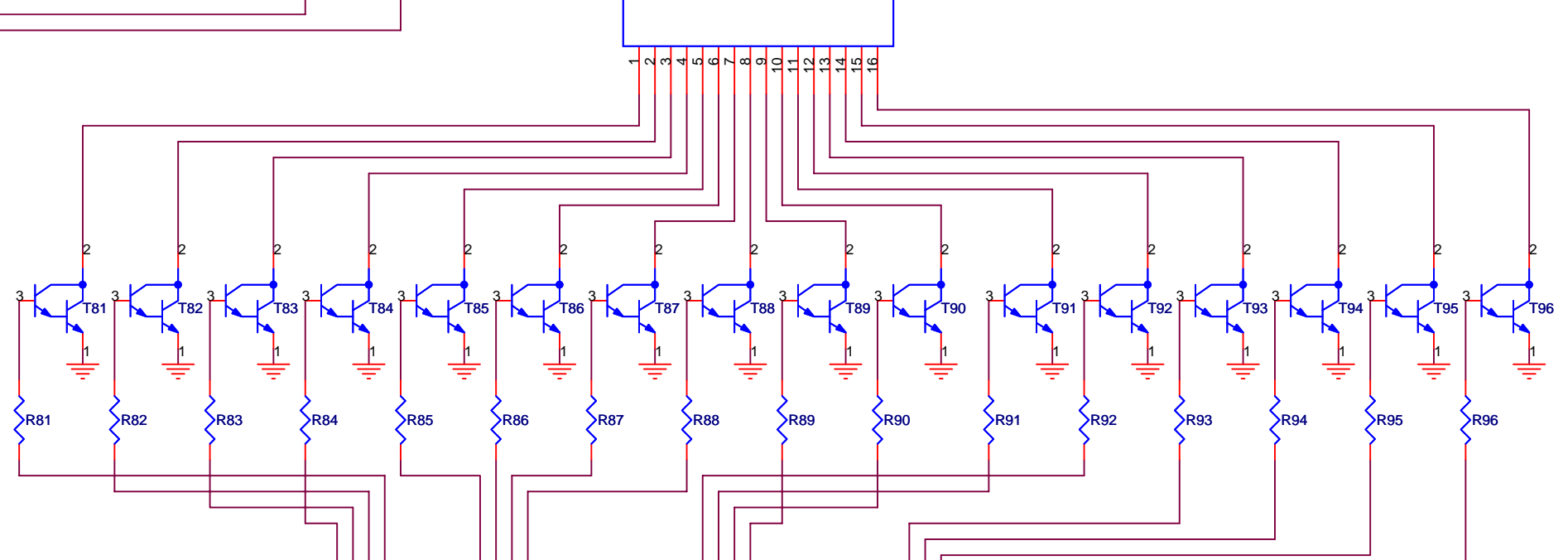


STR >>>

CP >>>

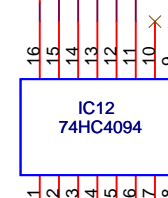
D3 >>>

J12  
LAMP\_CONNECTOR 6

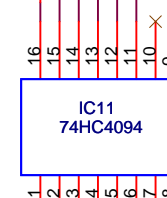


OE\_N >>>

+5V



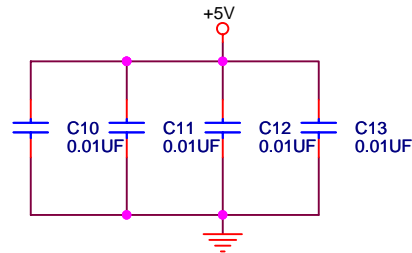
+5V



STR >>>

CP >>>

D2 >>>



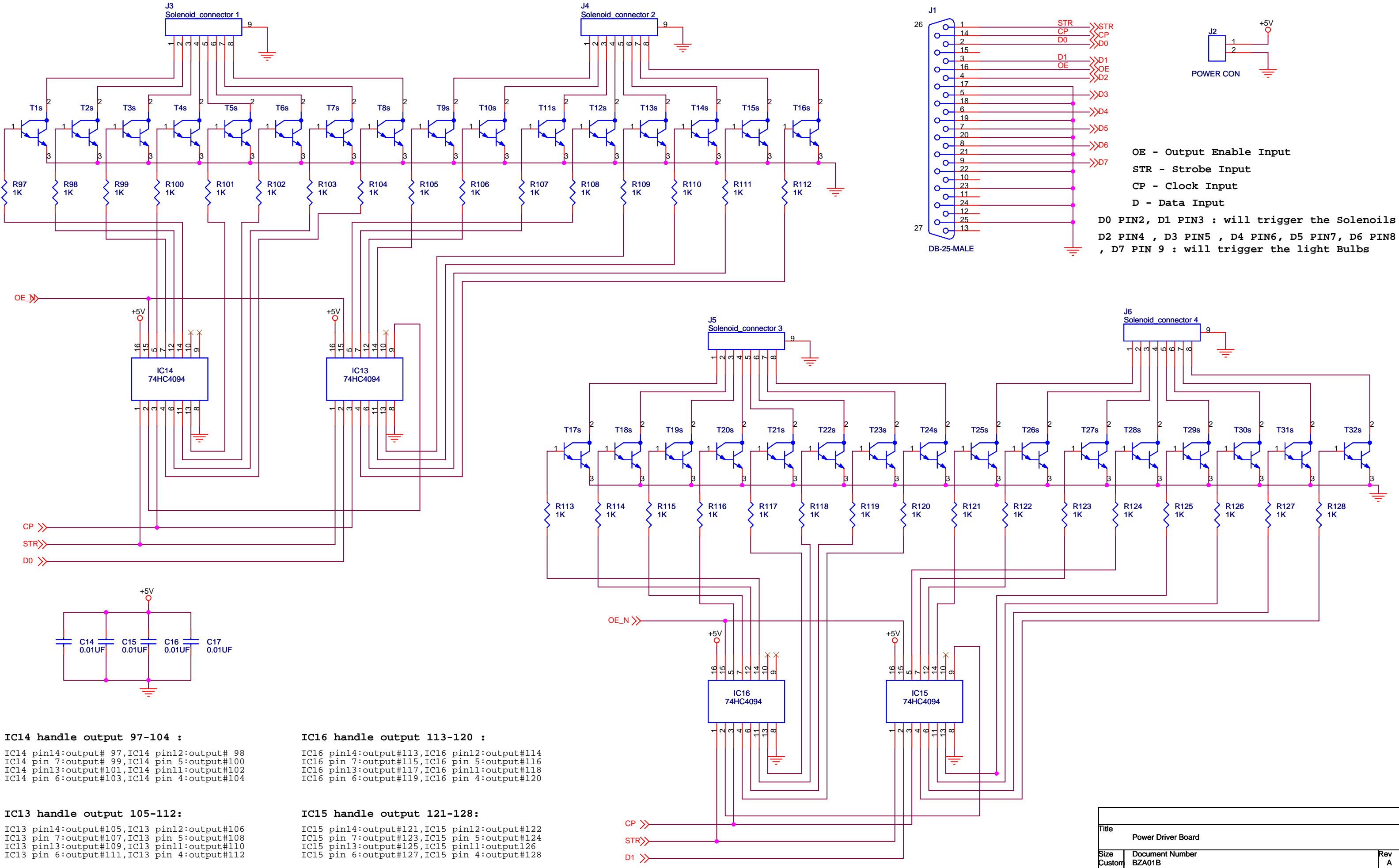
**IC10 handle output 65-72 :**

IC10 pin1:output#65,IC10 pin2:output#66  
 IC10 pin3:output#67,IC10 pin4:output#68  
 IC10 pin 7:output#69,IC10 pin 6:output#70  
 IC10 pin 5:output#71,IC10 pin 4:output#72

**IC9 handle output 73-80:**

IC9 pin1:output#73,IC9 pin2:output#74  
 IC9 pin3:output#75,IC9 pin4:output#76  
 IC9 pin 7:output#77,IC9 pin 6:output#78  
 IC9 pin 5:output#79,IC9 pin 4:output#80

Title Power Driver Board		
Size Custom	Document Number BZA01B	Rev A
Date: Tuesday, March 01, 2005	Sheet 3	of 4



OE - Output Enable Input  
 STR - Strobe Input  
 CP - Clock Input  
 D - Data Input  
 D0 PIN2, D1 PIN3 : will trigger the Solenoids  
 D2 PIN4 , D3 PIN5 , D4 PIN6, D5 PIN7, D6 PIN8  
 , D7 PIN 9 : will trigger the light Bulbs

**IC14 handle output 97-104 :**  
 IC14 pin14:output# 97,IC14 pin12:output# 98  
 IC14 pin 7:output# 99,IC14 pin 5:output#100  
 IC14 pin13:output#101,IC14 pin11:output#102  
 IC14 pin 6:output#103,IC14 pin 4:output#104

**IC16 handle output 113-120 :**  
 IC16 pin14:output#113,IC16 pin12:output#114  
 IC16 pin 7:output#115,IC16 pin 5:output#116  
 IC16 pin13:output#117,IC16 pin11:output#118  
 IC16 pin 6:output#119,IC16 pin 4:output#120

**IC13 handle output 105-112:**  
 IC13 pin14:output#105,IC13 pin12:output#106  
 IC13 pin 7:output#107,IC13 pin 5:output#108  
 IC13 pin13:output#109,IC13 pin11:output#110  
 IC13 pin 6:output#111,IC13 pin 4:output#112

**IC15 handle output 121-128:**  
 IC15 pin14:output#121,IC15 pin12:output#122  
 IC15 pin 7:output#123,IC15 pin 5:output#124  
 IC15 pin13:output#125,IC15 pin11:output#126  
 IC15 pin 6:output#127,IC15 pin 4:output#128

Title		
Power Driver Board		
Size	Document Number	Rev
Custom	BZA01B	A
Date:	Friday, March 04, 2005	Sheet 4 of 4